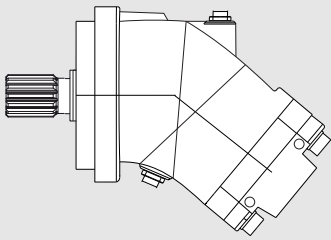
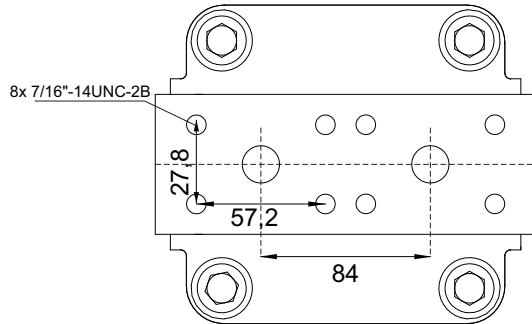


# 2PEM 80 - SAE C - 4 BOLT

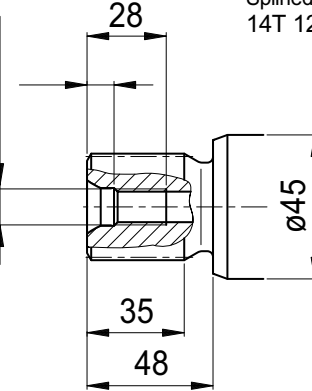
**R1**

SAE flange ports rear  
SAE 1" 6000 PSI



**J1**

7/16"-14UNC-2B

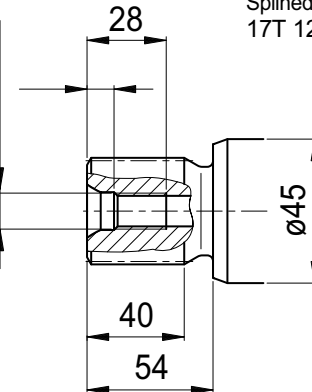


Splined shaft  
14T 12/24DP 1 1/4"

!! Special

**J1**

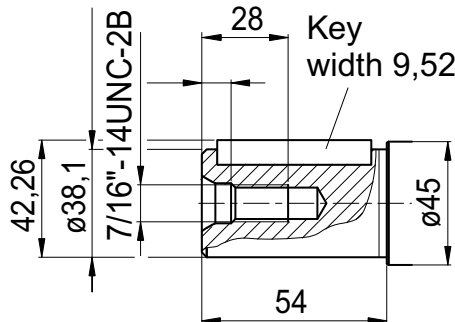
7/16"-14UNC-2B



Splined shaft  
17T 12/24DP 1 1/2"

**J2**

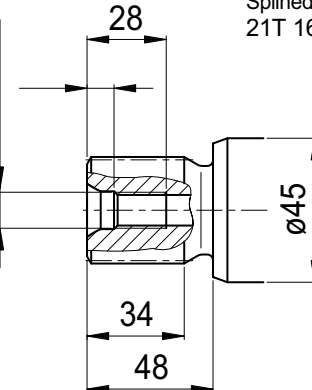
Cylindrical keyed shaft  
Ø 1 1/2"



Key  
width 9,52

**J1**

7/16"-14UNC-2B



Splined shaft  
21T 16/32DP 1 3/8"

!! Special