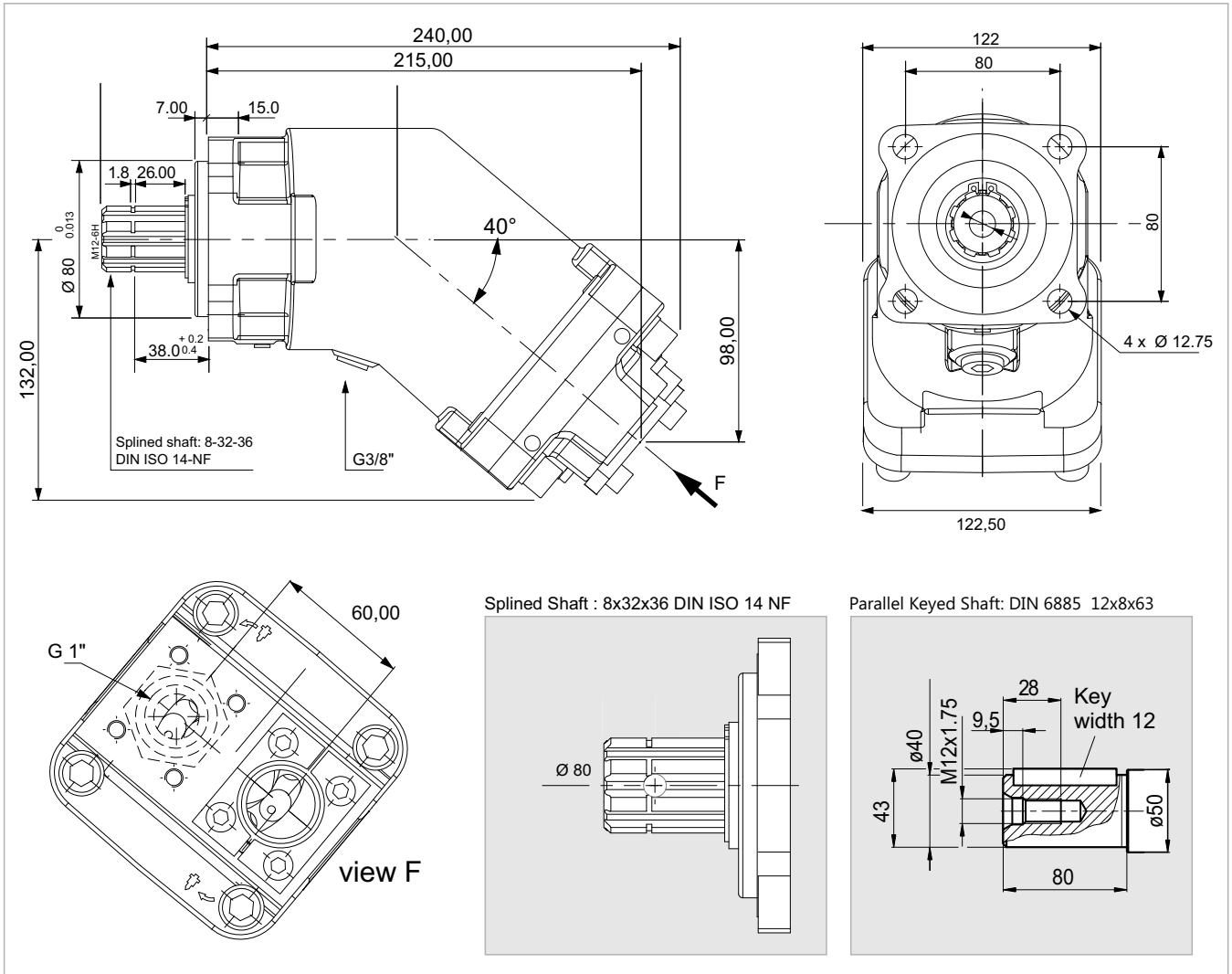


2PBM 108



x 1000 rpm	108,40 cc
x 1500 rpm	162,60 cc
Max. Continuous Pump Speed	4000 rpm
Max. Intermittent Pump Speed	4400 rpm
Max. Continuous Pressure	400 bar
Max. Peak Pressure	450 bar
Torque bar	1.69 m.N/bar
Torque at 350 bar	600 m.N
Weight without accessories	16,00 kg
Weight with accessories	16,50 kg
Max. Motor Temperature	-25°
Min. Motor Temperature	110°