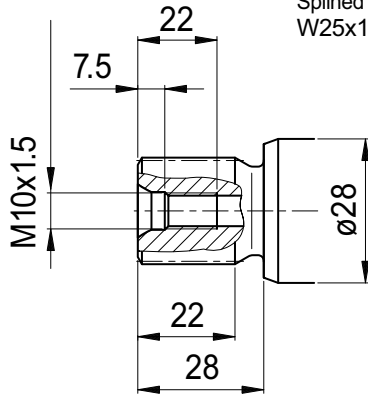


2PM 12

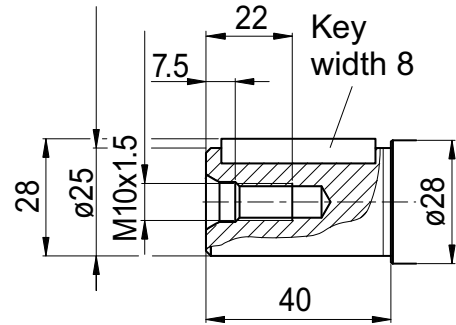
S1

Splined shaft DIN 5480
W25x1.25x18x9g



K1

Parallel keyed shaft
DIN 6885, AS8x7x32



K2

Parallel keyed shaft
DIN 6885, AS6x6x32

