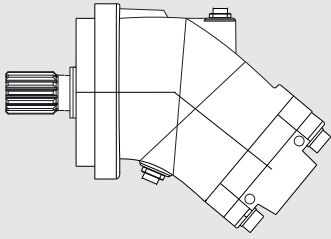
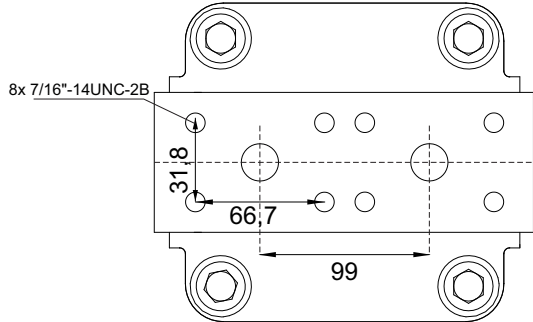


2PEM 130 - SAE D - 4 BOLT

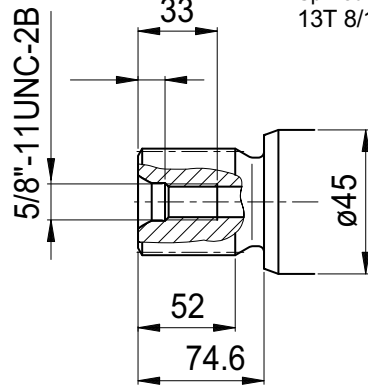
R1

SAE flange ports rear
SAE 1 1/4" 6000 PSI



J1

Splined shaft
13T 8/16DP 1 3/4"



J2

Cylindrical keyed shaft
 $\varnothing 1 3/4$ "

